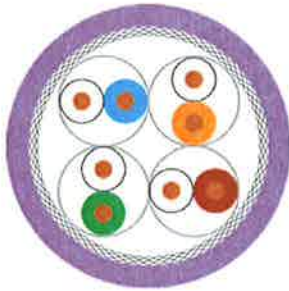


LAN-Kabel

Kategorie 7e

HELUKAT® 600
S/FTP



Aufbau

Innenleiterdurchmesser:
Leiter-Material:
Aderisolation:
Aderfarben:
Schirmung 1:
Schirm über Verseilelement:
Schirm 1 über Verseilung :
Schirm 2 über Verseilung :
Außenmantelmaterial:
Außendurchmesser:
Außenmantelfarbe:

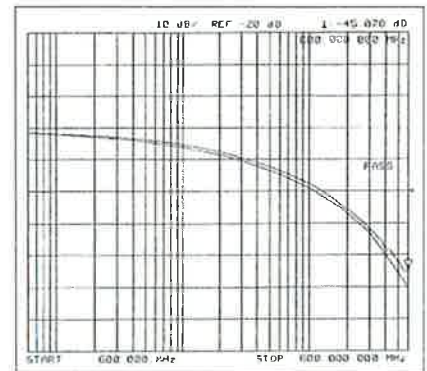
S/FTP 4x2xAWG 23/1 FRNC

0,57 mm
Kupfer, blank
Foam-Skin-PE
ws/bl, ws/or, ws/gn, ws/br
-
Polyesterfolie Al-kaschiert
Cu-Geflecht
-
FRNC
ca. 7,5 mm
blaulila ähnlich RAL 4005

Elektrische Daten

Wellenwiderstand:

100 Ohm ± 15 Ohm bei 1 bis 100 MHz
100 Ohm ± 20 Ohm bei 101 bis 1000 MHz
130 Ohm/km max.
43 nF/km nom.
79 %

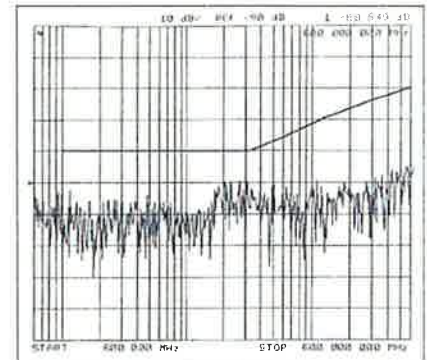


Typische Werte

Frequenz (MHz)	10	16	62,5	100	200	300	600	900	1000
Dämpfung (db/100m)	5,6	7,1	13,9	17,5	25,2	32,1	44,9	55,0	58,0
Next (db)	100,0	100,0	96,0	94,0	88,0	84,0	73,0	71,0	69,0
ACR (db)	94,4	92,9	82,1	76,5	62,8	51,9	28,1	16,0	9,0

Technische Daten

Gewicht: ca. 60 kg/km
Biegeradius, mehrmalig: 60 mm
Temperaturbereich Betrieb min.: -20°C
Temperaturbereich Betrieb max.: +60°C
Brandlast, Richtwert: 0,60 MJ/m
Cu-Zahl: 28,00 kg/km



Normen

Gem. ISO/IEC 11801, Gem. EN 50173, Gem. EIA/TIA 568-A, Kategorie 7e, Flammwidrig nach IEC 60332-3, Rauchdichte nach IEC 61034, Halogenfreiheit nach IEC 60754-2, Korrosivität nach EN50267-2-3

Anwendung

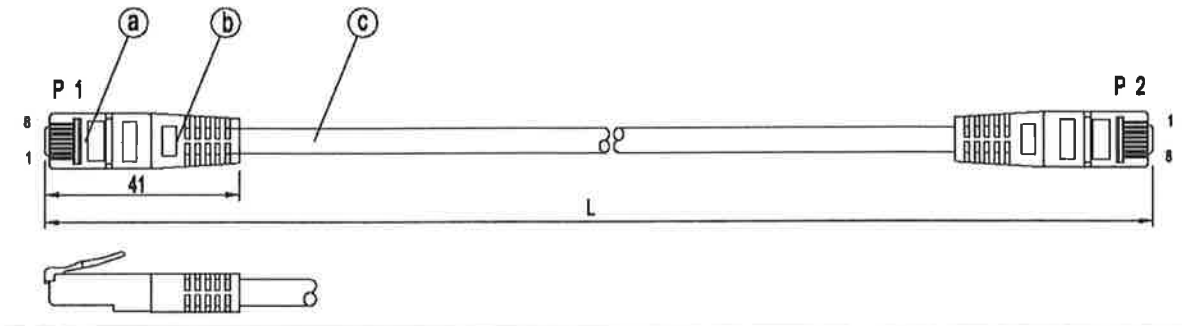
HELUKAT®600 Datenkabel werden im Tertiärbereich, aber auch im Sekundärbereich eines Netzwerkes eingesetzt. Sie zeichnen sich durch große Leistungsreserven und eine herausragende Performance aus. Damit realisieren Sie Dienste wie Gigabit Ethernet, Fast Ethernet, Ethernet, ATM155, FDDI, Token Ring 4/16 Mbit/s oder ISDN absolut problemlos. Ebenso sind die mechanischen Eigenschaften durch optimierte Konstruktionen bestens auch zum Einsatz in engen Kabelkanälen und -bündeln geeignet.

Artikelnummer

80810, S/FTP 4x2xAWG 23/1 FRNC (S-STP)

Technische Änderungen vorbehalten.

HELUKABEL RJ45 Patchcord, Part No. 802380 Cat. 6a; LAN 4x2xAWG 26/7 S/FTP LSZH



- a) connector RJ45 8/8 shielded, gold plated 50µm
- b) protective sleeve LSZH 94-V2
- c) cable

Applications

Patchable. For flexible installations only. Max. Distance 10m. To connect active and passive components inside distribution boxes and server racks or PC in office buildings.

General construction

LAN cable unshielded with 4 pair AWG 26/7 twisted wires for high data rates up to 10Gbit/s. Both side harnessed with RJ45 connectors shielded and protective sleeve.

Length: 1m±10mm

Outer jacket

Material: LSZH.

Color: grey.

OD: 6.5 mm. nom.

Wire

Material: flexible copper.

OD: 26/7 AWG, 1.03mm

Insulation material: HDPE compound.

Color code: 1) white X orange, 2) white X green, 3) white X blue, 4) white X brown.

Standard: EIA/TIA T568B

Shields

Individually pair: aluminium foil, 25% overlap.

Overall: Tinned copper wire 16x5x0.1.

Braid coverage: 55%.

Electrical characteristics (20°C)

Conductor DC resistance: 142 Ω/km max.

Resistance unbalance: 2% max.

Pair capacitance: 50 nF/km nom.

Capacitance unbalance: 2 pF/m max.

Dielectric strength between conductors: 500 Vac/min.

Dielectric strength conductors to shield: 500 Vac/min.

Transmission characteristics

Frequency range: 1 – 500 MHz.

Characteristics impedance: 100 Ω.

NVP (Nominal Velocity of Propagation): 76%

Transmission performance table

Frequency [MHz]	1	4	16	31,2	62,5	100	250	500
Attenuation [dB/100m]	0,4	0,7	1,3	1,9	2,5	3,1	5,3	7,5
NEXT [dB]	91	91	91	91	91	88	76	74
ACR [dB]	90,6	90,3	89,7	89,1	88,5	84,9	70,7	66,5

Applicable Standards:

ISO/IEC 11801, RoHS 2002/95/EC, EN 50173, IEC 60332-1, IEC332-1, IEC60603-7-51

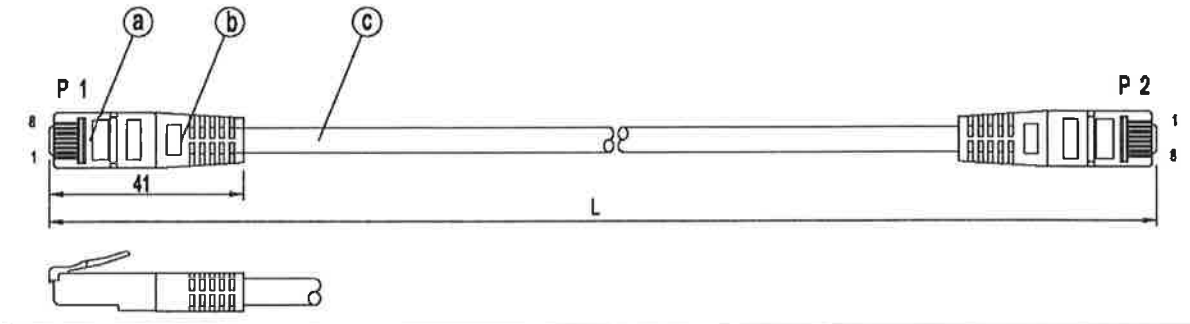
Printing style:

HELUKAT@500,10G,Cat.6a S/FTP 4x2xAWG26/7 LSZH ISO/IEC 11801 TIA/EIA 568B
IEC 60332-1 MM/YY RoHS

Notes:

- 1) MM month of production, YY year of production.
- 2) indicate space.
- 3) indicate order No.
- 4) check mark

HELUKABEL RJ45 Patchcord, Part No. 802382 Cat. 6a; LAN 4x2xAWG 26/7 S/FTP LSZH



- a)connector RJ45 8/8 shielded, gold plated 50µm
- b)protective sleeve LSZH 94-V2
- c)cable

Applications

Patchable. For flexible installations only. Max. Distance 10m. To connect active and passive components inside distribution boxes and server racks or PC in office buildings.

General construction

LAN cable unshielded with 4 pair AWG 26/7 twisted wires for high data rates up to 10Gbit/s. Both side harnessed with RJ45 connectors shielded and protective sleeve.

Length: 3m±30mm

Outer jacket

Material: LSZH.

Color: grey.

OD: 6.5 mm. nom.

Wire

Material: flexible copper.

OD: 26/7 AWG, 1.03mm

Insulation material: HDPE compound.

Color code: 1) white X orange, 2) white X green, 3) white X blue, 4) white X brown.

Standard: EIA/TIA T568B

Shields

Individually pair: aluminium foil, 25% overlap.

Overall: Tinned copper wire 16x5x0.1.

Braid coverage: 55%.

Electrical characteristics (20°C)**Conductor DC resistance:** 142 Ω/km max.**Resistance unbalance:** 2% max.**Pair capacitance:** 50 nF/km nom.**Capacitance unbalance:** 2 pF/m max.**Dielectric strength between conductors:** 500 Vac/min.**Dielectric strength conductors to shield:** 500 Vac/min.**Transmission characteristics****Frequency range:** 1 – 500 MHz.**Characteristics impedance:** 100 Ω.**NVP (Nominal Velocity of Propagation):** 76%**Transmission performance table**

Frequency [MHz]	1	4	16	31,2	62,5	100	250	500
Attenuation [dB/100m]	0,4	0,7	1,3	1,9	2,5	3,1	5,3	7,5
NEXT [dB]	91	91	91	91	91	88	76	74
ACR [dB]	90,6	90,3	89,7	89,1	88,5	84,9	70,7	66,5

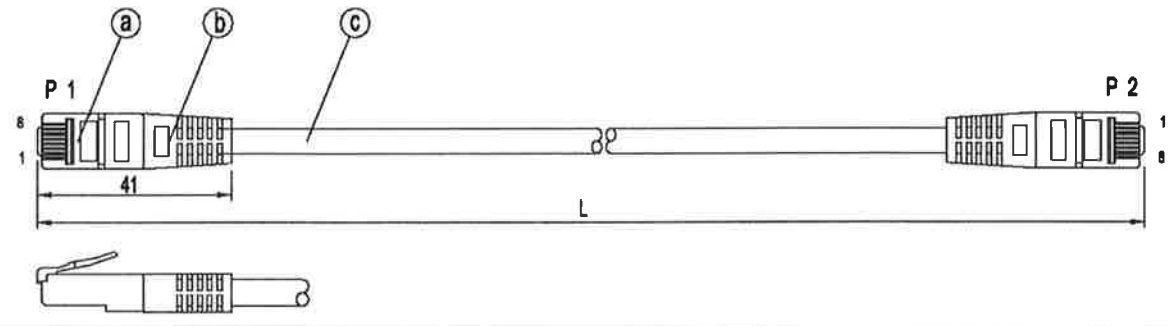
Applicable Standards:

ISO/IEC 11801, RoHS 2002/95/EC, EN 50173, IEC 60332-1, IEC332-1, IEC60603-7-51

Printing style:HELUKAT@500,10G,Cat.6a S/FTP 4x2xAWG26/7 LSZH ISO/IEC 11801 TIA/EIA 568B
IEC 60332-1 MM/YY RoHS**Notes:**

- 1) MM month of production, YY year of production.
- 2) indicate space.
- 3) indicate order No.
- 4) check mark

HELUKABEL RJ45 Patchcord, Part No. 802383 Cat. 6a; LAN 4x2xAWG 26/7 S/FTP LSZH



- a)connector RJ45 8/8 shielded, gold plated 50µm
b)protective sleeve LSZH 94-V2
c)cable

Applications

Patchable. For flexible installations only. Max. Distance 10m. To connect active and passive components inside distribution boxes and server racks or PC in office buildings.

General construction

LAN cable unshielded with 4 pair AWG 26/7 twisted wires for high data rates up to 10Gbit/s. Both side harnesses with RJ45 connectors shielded and protective sleeve.

Length: 5m±50mm

Outer jacket

Material: LSZH.

Color: grey.

OD: 6.5 mm. nom.

Wire

Material: flexible copper.

OD: 26/7 AWG, 1.03mm

Insulation material: HDPE compound.

Color code: 1) white X orange, 2) white X green, 3) white X blue, 4) white X brown.

Standard: EIA/TIA T568B

Shields

Individually pair: aluminium foil, 25% overlap.

Overall: Tinned copper wire 16x5x0.1.

Braid coverage: 55%.

Electrical characteristics (20°C)

Conductor DC resistance: 142 Ω /km max.

Resistance unbalance: 2% max.

Pair capacitance: 50 nF/km nom.

Capacitance unbalance: 2 pF/m max.

Dielectric strength between conductors: 500 Vac/min.

Dielectric strength conductors to shield: 500 Vac/min.

Transmission characteristics

Frequency range: 1 – 500 MHz.

Characteristics impedance: 100 Ω .

NVP (Nominal Velocity of Propagation): 76%

Transmission performance table

Frequency [MHz]	1	4	16	31,2	62,5	100	250	500
Attenuation [dB/100m]	0,4	0,7	1,3	1,9	2,5	3,1	5,3	7,5
NEXT [dB]	91	91	91	91	91	88	76	74
ACR [dB]	90,6	90,3	89,7	89,1	88,5	84,9	70,7	66,5

Applicable Standards:

ISO/IEC 11801, RoHS 2002/95/EC, EN 50173, IEC 60332-1, IEC332-1, IEC60603-7-51

Printing style:

HELUKAT@500,10G,Cat.6a S/FTP 4x2xAWG26/7 LSZH ISO/IEC 11801 TIA/EIA 568B
IEC 60332-1 MM/YY RoHS

Notes:

- 1) MM month of production, YY year of production.
- 2) indicate space.
- 3) indicate order No.
- 4) check mark